

# RTD2660V VIDEO-LF A/D BOARD SPECIFICATION

## General Descriptions

www.datasheet4u.com

The Realtek RTD2660 is a highly-integrated single chip IC controller solution for producing real time, top quality digital video and computer graphic images on LCD monitor/flat panel displays, such as XGA LCD monitors. LCD monitors and flat panel displays provide a sharp, flicker free display while saving space and energy for desktop PC applications. The RTD2660 provides an ideal interface between industry standard digital graphics controllers and a wide variety of LCD panel devices. Flat panel devices using the RTD2660 can support all incoming VESA modes and interface to any TFT LCD device, up to WUXGA (1920x1200) resolution

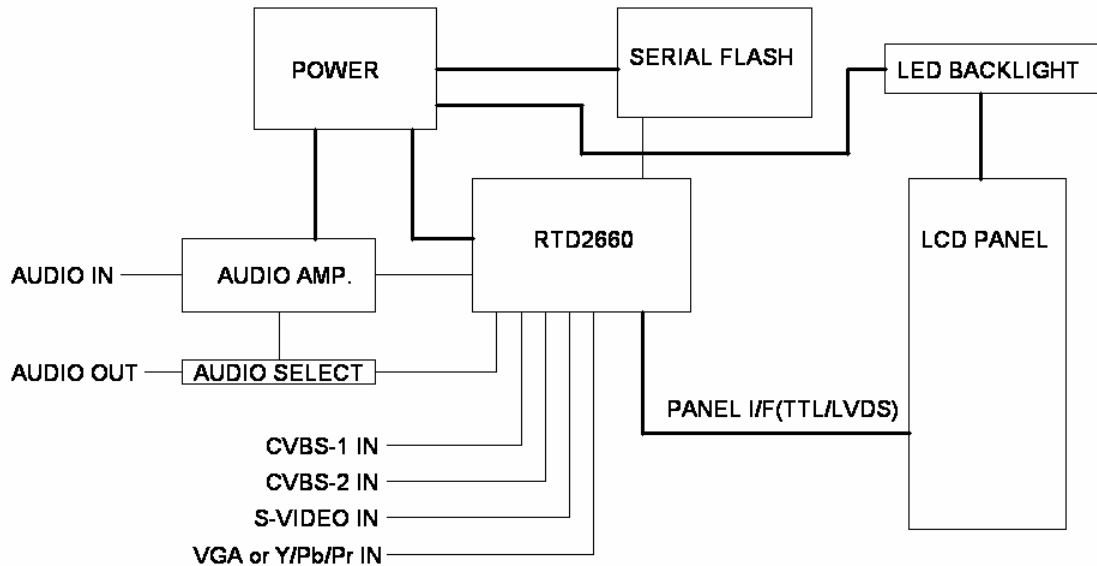
## Features

- Built-in YUV to RGB color space converter.
- Compatibility with standard VESA mode and VGA, SVGA, XGA, SXGA, UXGA, WUXGA TFT LCD panel
- Smart engine for Phase and Image position calibration
- Independent horizontal/vertical scaling and support VESA standard Timing
- 4 channel 8-bits PWM output for high quality voice
- Auto detection VGA separate and composite synchronizes signal
- Support VGA analog 15-pin D-Sub standard input and option AV/S video Input and TV decoder
- Support DUAL LVDS , SINGLE LVDS, TTL
- Hardware decompression for OSD font
- Embedded OSD of 12\*18 dot font per character
- ViVidCOlOfTM II
  - Independent color management (ICM II)
  - Dynamic contrast control (DCC II)
- True 10 bits color processing engine
- Advanced dithering logic for 18-bit panel color depth enhancement
- Dynamic overshoot-smear canceling engine
- Brightness and contrast control
- Programmable 10-bit gamma support
- Peaking/Coring/XVYCC function for video sharpness
- DLTi/DCTi/ Noise reduction for video quality
- Support 8-bit video (ITU 656) format input

# RTD2660V VIDEO-LF A/D BOARD SPECIFICATION

## Block Diagram

www.datasheet4u.com



## Connector Description

### JP8 : Speaker /Ear Connector

PIN	Function	Note
1	LEFT	
2	RIGHT	
3	GND	

### J2 : Inverter Connector

PIN	Function	Note
1	12V VCC	
2	GND	
3	BACKLIGHT POWER ON/OFF	
4	BRIGHTNESS CONTROL	

### J3,J3A1,J3B1 : LED Backlight out Connector

PIN	Function	Note
1	LED +	
2	LED -	

## RTD2660V VIDEO-LF A/D BOARD SPECIFICATION

### JP2 : Video and Audio Connector

PIN	Function	Note
1	AV1	
2	VGND	
3	AUDIO in right	
4	AGND	
5	AUDIO in left	
6	AGND	
7	Video Y in	
8	VGND	
9	Video Pb in	
10	VGND	
11	Video Pr in	
12	VGND	

### J9(LEFT),J10(RIGHT) : Speaker Connector

PIN	Function	Note
1	SIGNAL +	
2	SIGNAL -	

### JP3 :S-Video/CVBS Input (PH:2.0mm 5PIN)

PIN	Function	Note
1	S_YIN	
2	S_CIN	
3	S_GND	
4	CVBS_IN	
5	CVBS_GND	

### J1 Community CN1 : Power Input Connector (PH:2.0mm 2PIN)

PIN	Function	Note
1	12VCC	
2	GND	

### JP5 : Audio2 In Connector (PH: 2.0mm 3PIN)

PIN	Function	Note
3	RIGHT IN	
2	LEFT IN	
1	GND	

## RTD2660V VIDEO-LF A/D BOARD SPECIFICATION

### JP7 : RS232 Connector (PH: 2.0mm 4PIN)

PIN	Function	Note
1	GND	
2	3.3VCC	
3	RX	
4	TX	

### J4 Community U10 :VGA Input (PH:2.0mm 12PIN)

PIN	Function	Note
1	R	
2	ADC_GND	
3	G	
4	ADC_GND	
5	B	
6	ADC_GND	
7	CONNECT	
8	DDC_SDA	
9	HSYNC	
10	VSYNC	
11	DDC_SCL	
12	GND	

### J8 : Key Board Connector

PIN	Function	Note
1	3.3V DVCC	
2	IR INPUT	
3	MENU(AUTO) KEY	
4	SELECT_KEY	
5	UP_KEY	
6	DOWN_KEY	
7	ACTIVE (GREEN) LED	
8	STANDBY(RED) LED	
9	POWER KEY	
10	GND	
11	VOL_UP KEY	
12	VOL_DOWN KEY	
13	SOURCE KEY	
14	GND	

